

Xhevdet BEQIRI  
KOSOVË

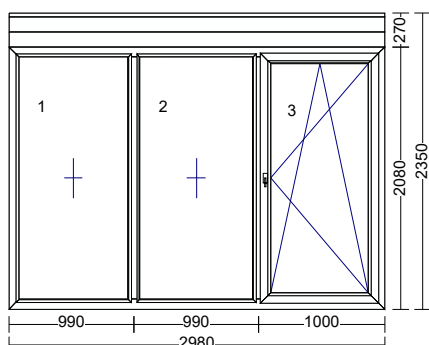
Drenas: 12.9.2024  
Punuar nga Ing/Arch : Dafina

**Oferta : F-241066** / Projekti : PRJ-24-0643

***Në bazë të kërkesës që të ofertojmë për pozicionet tuaja, të bashkëngjitur gjeni Ofertën komerciale***

Pozicioni	Sasi	Përshkrim	P-çmimi njësi pa zbritje	Zbritje %	P-Çmimi EUR	T-Cmimi EUR
-----------	------	-----------	-----------------------------	--------------	----------------	----------------

2	1 Copë(s)				956,88	956,88
---	-----------	--	--	--	--------	--------



### Schüco Living 82 TopAlu

Ngjyra (B/J): Base profile, white / Aluminium, coated with RAL colour  
Rami: 19412 outer frame, 80 mm, MD, TopAlu, butt-joined  
Krahu: FIB, FIB, 19431 Flügel 83mm TopAlu stumpf  
Mekanizmi: MACO Kunde  
Siperfaqja: 2 \* Fixed in Frame, Dreh-kipp Rechts 7.003 m2  
Profil shtes: Outer frame connector, 82/30;  
2 \* Outer frame connector, 82/120

#### Xhami:

1.1 Ug-0.5, 4mm Clima.G.Solar/16 Al 90% Ar/ 4mm Float/16 Al 90% Ar /4mm C.G.Premium 32 db  
2.1 Ug-0.5, 4mm Clima.G.Solar/16 Al 90% Ar/ 4mm Float/16 Al 90% Ar /4mm C.G.Premium 32 db  
3.1 Ug-0.5, 4mm Clima.G.Solar/16 Al 90% Ar/ 4mm Float/16 Al 90% Ar /4mm C.G.Premium 32 db

Lartesia e Dorezës: 973 mm

Uw/m2: 0.73

Ug/m<sup>2</sup>: 0,50 W/m2K

Pesha: 356 kg

**Dimensionet: 2980mm x 2080mm**

*Me roleta zhallozi montimi ne shtojca, me fletza alumini ngjyre antracid + box+ motori*

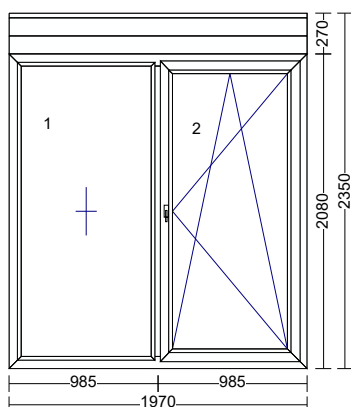
2,08 m<sup>2</sup>

25,20

52,42

Rrjeta kundër insekteve

3	1 Copë(s)				676,61	676,61
---	-----------	--	--	--	--------	--------



### Schüco Living 82 TopAlu

Ngjyra (B/J): Base profile, white / Aluminium, coated with RAL colour  
Rami: 19412 outer frame, 80 mm, MD, TopAlu, butt-joined  
Krahu: FIB, 19431 Flügel 83mm TopAlu stumpf  
Mekanizmi: MACO Kunde  
Siperfaqja: Fixed in Frame, Dreh-kipp Rechts 4.629 m2  
Profil shtes: Outer frame connector, 82/30;  
2 \* Outer frame connector, 82/120

#### Xhami:

1.1 Ug-0.5, 4mm Clima.G.Solar/16 Al 90% Ar/ 4mm Float/16 Al 90% Ar /4mm C.G.Premium 32 db  
2.1 Ug-0.5, 4mm Clima.G.Solar/16 Al 90% Ar/ 4mm Float/16 Al 90% Ar /4mm C.G.Premium 32 db

Lartesia e Dorezës: 973 mm

Uw/m2: 0.75

Ug/m<sup>2</sup>: 0,50 W/m2K

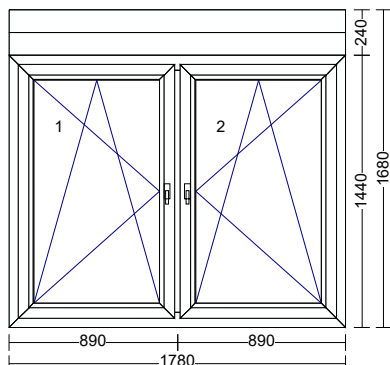
Pesha: 236 kg

**Dimensionet: 1970mm x 2080mm**

*Me roleta zhallozi montimi ne shtojca, me fletza alumini ngjyre antracid + box+ motori*

Pozicioni	Sasi	Përshkrim	P-çmimi njësi pa zbritje	Zbritje %	P-Çmimi EUR	T-Cmimi EUR
	2,04 m <sup>2</sup>				25,20	51,41
		Rrjeta kundër insekteve				

<b>4</b>	<b>1 Copë(s)</b>				572,55	572,55
----------	------------------	--	--	--	--------	--------



#### Schüco Living 82 TopAlu

Ngjyra (B/J): Base profile, white / Aluminium, coated with RAL colour

Rami: 19412 outer frame, 80 mm, MD, TopAlu, butt-joined

Krahu: 19431 Flügel 83mm TopAlu stumpf, 19431 Flügel 83mm TopAlu stumpf

Mekanizmi: MACO Kunde Dreh-kipp Links, Dreh-kipp Rechts

Siperfaqja: 2.990 m<sup>2</sup>

Profil shtes: 2 \* Outer frame connector, 82/120

Xhami:

1.1 Ug-0.5, 4mm Clima.G.Solar/16 Al 90% Ar/ 4mm Float/16 Al 90% Ar /4mm C.G.Premium 32 db

2.1 Ug-0.5, 4mm Clima.G.Solar/16 Al 90% Ar/ 4mm Float/16 Al 90% Ar /4mm C.G.Premium 32 db

Lartesia e Dorezës: 653 mm, 653 mm

Uw/m<sup>2</sup>: 0.81

Ug/m<sup>2</sup>: 0,50 W/m<sup>2</sup>K

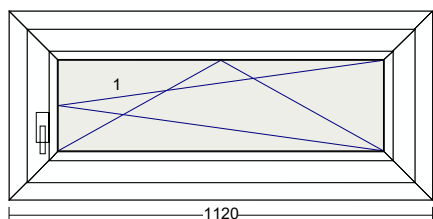
Pesha: 152 kg

**Dimensionet: 1780mm x 1440mm**

*Me roleta zhallozi montimi ne shtojca, me fletza alumini ngjyre antracid + box+ motori*

2,56 m <sup>2</sup>					25,20	64,51
		Rrjeta kundër insekteve				

<b>5</b>	<b>1 Copë(s)</b>				163,54	163,54
----------	------------------	--	--	--	--------	--------



#### Schüco Living 82 TopAlu

Ngjyra (B/J): Base profile, white / Aluminium, coated with RAL colour

Rami: 19412 outer frame, 80 mm, MD, TopAlu, butt-joined

Krahu: 19431 Flügel 83mm TopAlu stumpf

Mekanizmi: MACO Kunde Dreh-kipp Rechts

Siperfaqja: 0.560 m<sup>2</sup>

Xhami:

1.1 4 Clima.G.Solar - 16 - 4 qumsht - 16 - 4 C.G.Premium sezon me argon - Ug: 0.5 38 db

Lartesia e Dorezës: 125 mm

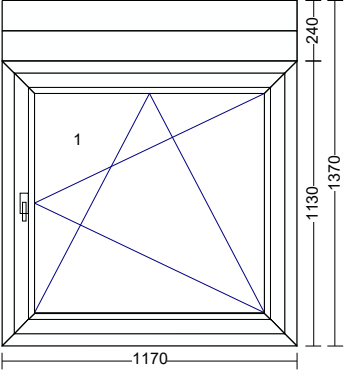
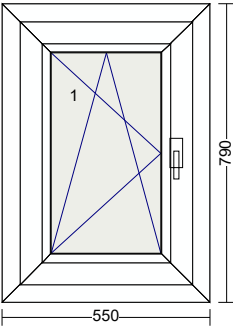
Uw/m<sup>2</sup>: 0.94

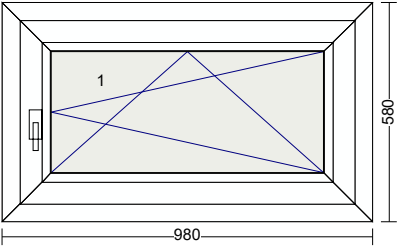
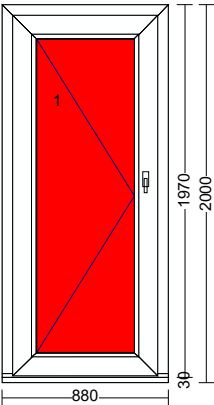
Ug/m<sup>2</sup>: 0,50 W/m<sup>2</sup>K

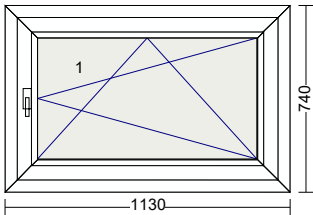
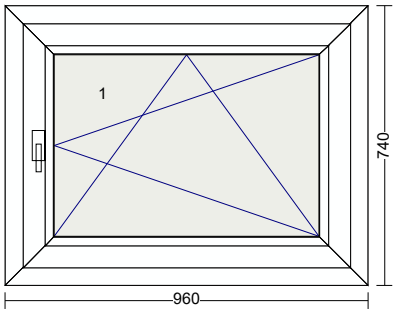
Pesha: 29 kg

**Dimensionet: 1120mm x 500mm**

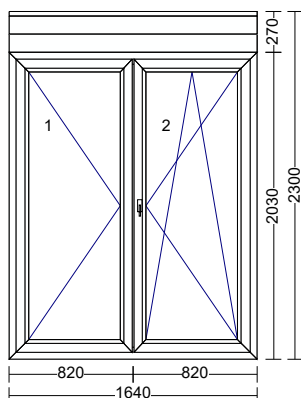
**Pa roleta, pa rrjete te insekteve**

Pozicioni	Sasi	Përshkrim	P-çmimi njësi pa zbritje	Zbritje %	P-Çmimi EUR	T-Cmimi EUR
<b>6</b>	<b>1 Copë(s)</b>				303,24	303,24
						
		<b>Schüco Living 82 TopAlu</b> Ngjyra (B/J): Base profile, white / Aluminium, coated with RAL colour Rami: 19412 outer frame, 80 mm, MD, TopAlu, butt-joined Krahu: 19431 Flügel 83mm TopAlu stumpf Mekanizmi: MACO Kunde Dreh-kipp Rechts Siperfaqja: 1.603 m <sup>2</sup> Profil shtes: 2 * Outer frame connector, 82/120 Xhami: 1.1 Ug-0.5, 4mm Clima.G.Solar/16 Al 90% Ar/ 4mm Float/16 Al 90% Ar /4mm C.G.Premium 32 db Lartesia e Dorezës: 498 mm Uw/m <sup>2</sup> : 0.82 Ug/m <sup>2</sup> : 0,50 W/m <sup>2</sup> K Pesha: 80 kg <b>Dimensionet: 1170mm x 1130mm</b> <i>Me roleta zhallozi montimi ne shtojca, me fletza alumini ngjyre antracid + box+ motori</i>				
		1,32 m <sup>2</sup>			25,20	33,26
		Rrjeta kundër insekteve				
<b>7</b>	<b>1 Copë(s)</b>				128,59	128,59
						
		<b>Schüco Living 82 TopAlu</b> Ngjyra (B/J): Base profile, white / Aluminium, coated with RAL colour Rami: 19412 outer frame, 80 mm, MD, TopAlu, butt-joined Krahu: 19431 Flügel 83mm TopAlu stumpf Mekanizmi: MACO Kunde Dreh-kipp Links Siperfaqja: 0.435 m <sup>2</sup> Xhami: 1.1 4 Clima.G.Solar - 16 - 4 qumsht - 16 - 4 C.G.Premium sezon me argon - Ug: 0.5 38 db Lartesia e Dorezës: 328 mm Uw/m <sup>2</sup> : 0.94 Ug/m <sup>2</sup> : 0,50 W/m <sup>2</sup> K Pesha: 23 kg <b>Dimensionet: 550mm x 790mm</b> <b>Pa roleta</b>				
		0,43 m <sup>2</sup>			25,20	10,84
		Rrjeta kundër insekteve				

Pozicioni	Sasi	Përshkrim	P-çmimi njësi pa zbritje	Zbritje %	P-Çmimi EUR	T-Cmimi EUR
8	1 Copë(s)				160,65	160,65
						
		<p><b>Schüco Living 82 TopAlu</b></p> <p>Ngjyra (B/J): Base profile, white / Aluminium, coated with RAL colour</p> <p>Rami: 19412 outer frame, 80 mm, MD, TopAlu, butt-joined</p> <p>Krahu: 19431 Flügel 83mm TopAlu stumpf</p> <p>Mekanizmi: MACO Kunde Dreh-kipp Rechts</p> <p>Siperfaqja: 0.568 m2</p> <p>Xhami: 1.1 4 Clima.G.Solar - 16 - 4 qumsht - 16 - 4 C.G.Premium sezon me argon - Ug: 0.5 38 db</p> <p>Lartesia e Dorezës: 190 mm</p> <p>Uw/m2: 0.91</p> <p>Ug/m2: 0,50 W/m2K</p> <p>Pesha: 29 kg</p> <p><b>Dimensionet: 980mm x 580mm</b></p> <p><b>Pa roleta, pa rrjete te insekteve</b></p>				
9	1 Copë(s)				683,05	683,05
						
		<p><b>Schüco Living 82 TopAlu</b></p> <p>Ngjyra (B/J): Base profile, white / Aluminium, coated with RAL colour</p> <p>Rami: 19413 outer frame, 90 mm, MD, TopAlu, butt-joined</p> <p>Krahu: 19433 Flügel 125mm TopAlu stumpf</p> <p>Mekanizmi: MACO Kunde Eingangstür nach Innen Links</p> <p>Siperfaqja: 1.760 m2</p> <p>Profil shtes: Outer frame connector, 82/30</p> <p>Xhami: 1.1 Panel PVC i thjeshte 24mm Bardh/Bardh</p> <p>Lartesia e Dorezës: 1020 mm</p> <p>Ug/m2: 0,50 W/m2K</p> <p>Pesha: 171 kg</p> <p><b>Dimensionet: 880mm x 1970mm</b></p> <p><i>Dere me panel te thjeshte, brave nje pika mbyllese, prag alumini, dorez normale mbrenda dhe jashte</i></p>				
.	1 Copë(s)				0,00	0,00
		Kati 1				

Pozicioni	Sasi	Përshkrim	P-çmimi njësi pa zbritje	Zbritje %	P-Çmimi EUR	T-Cmimi EUR
<b>10</b>	<b>1 Copë(s)</b>				198,63	198,63
						
		<b>Schüco Living 82 TopAlu</b> Ngjyra (B/J): Base profile, white / Aluminium, coated with RAL colour Rami: 19412 outer frame, 80 mm, MD, TopAlu, butt-joined Krahu: 19431 Flügel 83mm TopAlu stumpf Mekanizmi: MACO Kunde Dreh-kipp Rechts Siperfaqja: 0.836 m <sup>2</sup> Xhami: 1.1 4 Clima.G.Solar - 16 - 4 qumsht - 16 - 4 C.G.Premium sezon me argon - Ug: 0.5 38 db Lartesia e Dorezës: 303 mm Uw/m <sup>2</sup> : 0.85 Ug/m <sup>2</sup> : 0,50 W/m <sup>2</sup> K Pesha: 41 kg <b>Dimensionet: 1130mm x 740mm</b> <b>Pa rolete</b>				
	0,84 m <sup>2</sup>	Rrjeta kundër insekteve			25,20	21,17
<b>11</b>	<b>1 Copë(s)</b>				178,59	178,59
						
		<b>Schüco Living 82 TopAlu</b> Ngjyra (B/J): Base profile, white / Aluminium, coated with RAL colour Rami: 19412 outer frame, 80 mm, MD, TopAlu, butt-joined Krahu: 19431 Flügel 83mm TopAlu stumpf Mekanizmi: MACO Kunde Dreh-kipp Rechts Siperfaqja: 0.710 m <sup>2</sup> Xhami: 1.1 4 Clima.G.Solar - 16 - 4 qumsht - 16 - 4 C.G.Premium sezon me argon - Ug: 0.5 38 db Lartesia e Dorezës: 303 mm Uw/m <sup>2</sup> : 0.87 Ug/m <sup>2</sup> : 0,50 W/m <sup>2</sup> K Pesha: 35 kg <b>Dimensionet: 960mm x 740mm</b> <b>Pa rolete</b>				
	0,71 m <sup>2</sup>	Rrjeta kundër insekteve			25,20	17,89

Pozicioni	Sasi	Përshkrim	P-çmimi njësi pa zbritje	Zbritje %	P-Çmimi EUR	T-Cmimi EUR
<b>12</b>	<b>1 Copë(s)</b>				671,41	671,41



### Schüco Living 82 TopAlu

Ngjyra (B/J): Base profile, white / Aluminium, coated with RAL colour  
Rami: 19412 outer frame, 80 mm, MD, TopAlu, butt-joined  
Krahu: 19431 Flügel 83mm TopAlu stumpf, 19431 Flügel 83mm TopAlu stumpf  
Mekanizmi: MACO Kunde Dreh-Links, Dreh-kipp Rechts  
Siperfaqja: 3.772 m<sup>2</sup>  
Profil shtes: Outer frame connector, 82/30; 2 \* Outer frame connector, 82/120

#### Xhami:

1.1 Ug-0.5, 4mm Clima.G.Solar/16 Al 90% Ar/ 4mm Float/16 Al 90% Ar /4mm C.G.Premium 32 db  
2.1 Ug-0.5, 4mm Clima.G.Solar/16 Al 90% Ar/ 4mm Float/16 Al 90% Ar /4mm C.G.Premium 32 db  
Lartesia e Dorezës: 948 mm, 948 mm

Uw/m<sup>2</sup>: 0.80  
Ug/m<sup>2</sup>: 0,50 W/m<sup>2</sup>K  
Pesha: 196 kg

#### Dimensionet: 1640mm x 2030mm

*Me roleta zhallozi montimi ne shtojca, me fletza alumini ngjyre antracid + box+ motori*

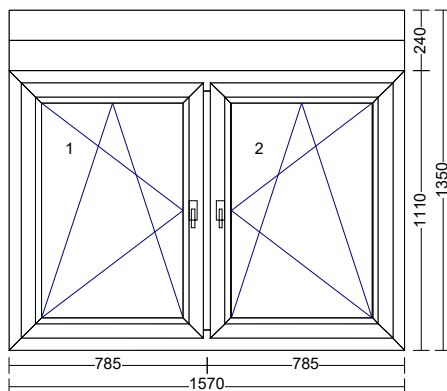
3,32 m<sup>2</sup>

25,20

83,66

Rrjeta kundër insekteve

<b>13</b>	<b>1 Copë(s)</b>				448,46	448,46
-----------	------------------	--	--	--	--------	--------



### Schüco Living 82 TopAlu

Ngjyra (B/J): Base profile, white / Aluminium, coated with RAL colour  
Rami: 19412 outer frame, 80 mm, MD, TopAlu, butt-joined  
Krahu: 19431 Flügel 83mm TopAlu stumpf, 19431 Flügel 83mm TopAlu stumpf  
Mekanizmi: MACO Kunde Dreh-kipp Links, Dreh-kipp Rechts  
Siperfaqja: 2.119 m<sup>2</sup>  
Profil shtes: 2 \* Outer frame connector, 82/120

#### Xhami:

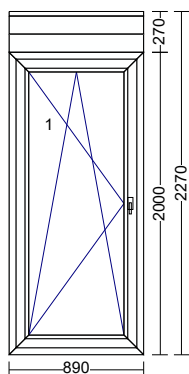
1.1 Ug-0.5, 4mm Clima.G.Solar/16 Al 90% Ar/ 4mm Float/16 Al 90% Ar /4mm C.G.Premium 32 db  
2.1 Ug-0.5, 4mm Clima.G.Solar/16 Al 90% Ar/ 4mm Float/16 Al 90% Ar /4mm C.G.Premium 32 db  
Lartesia e Dorezës: 488 mm, 488 mm

Uw/m<sup>2</sup>: 0.85  
Ug/m<sup>2</sup>: 0,50 W/m<sup>2</sup>K  
Pesha: 107 kg

#### Dimensionet: 1570mm x 1110mm

*Me roleta zhallozi montimi ne shtojca, me fletza alumini ngjyre antracid + box+ motori*

Pozicioni	Sasi	Përshkrim	P-çmimi njësi pa zbritje	Zbritje %	P-Çmimi EUR	T-Cmimi EUR
<b>14</b>	<b>1 Copë(s)</b>				360,42	360,42



### Schüco Living 82 TopAlu

Ngjyra (B/J): Base profile, white / Aluminium, coated with RAL colour

Rami: 19412 outer frame, 80 mm, MD, TopAlu, butt-joined

Krahu: 19431 Flügel 83mm TopAlu stumpf

Mekanizmi: MACO Kunde Dreh-kipp Links

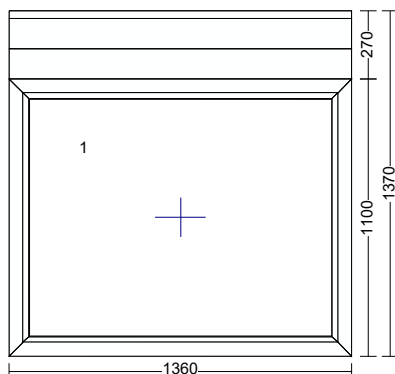
Sipërfaqja: 2.020 m<sup>2</sup>

Profil shtes: Outer frame connector, 82/30;  
2 \* Outer frame connector, 82/120

Xhami:  
1.1 Ug-0.5, 4mm Clima.G.Solar/16 Al 90% Ar/ 4mm Float/16 Al 90% Ar /4mm C.G.Premium 32 db  
Lartesia e Dorezës: 933 mm  
Uw/m<sup>2</sup>: 0.80  
Ug/m<sup>2</sup>: 0,50 W/m<sup>2</sup>K  
Pesha: 104 kg

**Dimensionet: 890mm x 2000mm**  
*Me roleta zhallozi montimi ne shtojca, me fletza alumini ngjyre antracid + box+ motori*

<b>14.1</b>	<b>1 Copë(s)</b>				249,86	249,86
-------------	------------------	--	--	--	--------	--------



### Schüco Living 82 TopAlu

Ngjyra (B/J): Base profile, white / Aluminium, coated with RAL colour

Rami: 19412 outer frame, 80 mm, MD, TopAlu, butt-joined

Krahu: FIB

Mekanizmi: MACO Kunde Fixed in Frame

Sipërfaqja: 1.863 m<sup>2</sup>

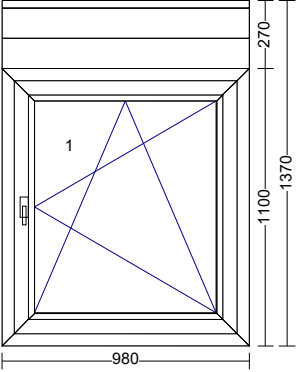
Profil shtes: Outer frame connector, 82/30;  
2 \* Outer frame connector, 82/120

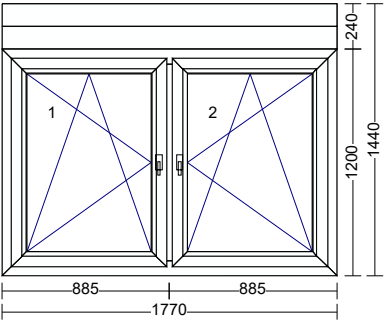
Xhami:  
1.1 Ug-0.5, 4mm Clima.G.Solar/16 Al 90% Ar/ 4mm Float/16 Al 90% Ar /4mm C.G.Premium 32 db  
Lartesia e Dorezës:  
Uw/m<sup>2</sup>: 0.77  
Ug/m<sup>2</sup>: 0,50 W/m<sup>2</sup>K  
Pesha: 92 kg

**Dimensionet: 1360mm x 1100mm**  
*Me roleta zhallozi montimi ne shtojca, me fletza alumini ngjyre antracid + box+ motori*

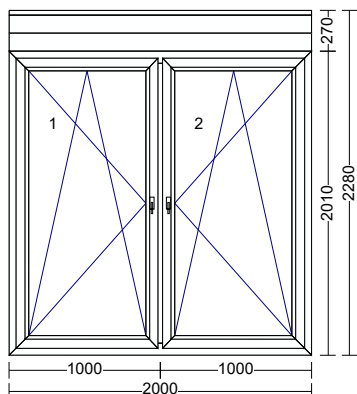
**Lidhet me pos .14 me ane te lidhses**



Pozicioni	Sasi	Përshkrim	P-çmimi njësi pa zbritje	Zbritje %	P-Çmimi EUR	T-Cmimi EUR
15	1 Copë(s)				272,60	272,60
			<p><b>Schüco Living 82 TopAlu</b></p> <p>Ngjyra (B/J): Base profile, white / Aluminium, coated with RAL colour</p> <p>Rami: 19412 outer frame, 80 mm, MD, TopAlu, butt-joined</p> <p>Krahu: 19431 Flügel 83mm TopAlu stumpf</p> <p>Mekanizmi: MACO Kunde Dreh-kipp Rechts</p> <p>Siperfaqja: 1.352 m<sup>2</sup></p> <p>Profil shtes: 2 * Outer frame connector, 82/120</p> <p>Xhami: 1.1 Ug-0.5, 4mm Clima.G.Solar/16 Al 90% Ar/ 4mm Float/16 Al 90% Ar /4mm C.G.Premium 32 db</p> <p>Lartesia e Dorezës: 503 mm</p> <p>Uw/m<sup>2</sup>: 0.83</p> <p>Ug/m<sup>2</sup>: 0,50 W/m<sup>2</sup>K</p> <p>Pesha: 68 kg</p> <p><b>Dimensionet: 980mm x 1140mm</b></p> <p><i>Me roleta zhallozi montimi ne shtojca, me fletza alumini ngjyre antracid + box+ motori</i></p>			
	1,12 m <sup>2</sup>				25,20	28,22
		Rrjeta kundër insekteve				

16	1 Copë(s)				505,84	505,84
			<p><b>Schüco Living 82 TopAlu</b></p> <p>Ngjyra (B/J): Base profile, white / Aluminium, coated with RAL colour</p> <p>Rami: 19412 outer frame, 80 mm, MD, TopAlu, butt-joined</p> <p>Krahu: 19431 Flügel 83mm TopAlu stumpf, 19431 Flügel 83mm TopAlu stumpf</p> <p>Mekanizmi: MACO Kunde Dreh-kipp Links, Dreh-kipp Rechts</p> <p>Siperfaqja: 2.549 m<sup>2</sup></p> <p>Profil shtes: 2 * Outer frame connector, 82/120</p> <p>Xhami: 1.1 Ug-0.5, 4mm Clima.G.Solar/16 Al 90% Ar/ 4mm Float/16 Al 90% Ar /4mm C.G.Premium 32 db</p> <p>2.1 Ug-0.5, 4mm Clima.G.Solar/16 Al 90% Ar/ 4mm Float/16 Al 90% Ar /4mm C.G.Premium 32 db</p> <p>Lartesia e Dorezës: 533 mm, 533 mm</p> <p>Uw/m<sup>2</sup>: 0.83</p> <p>Ug/m<sup>2</sup>: 0,50 W/m<sup>2</sup>K</p> <p>Pesha: 129 kg</p> <p><b>Dimensionet: 1770mm x 1200mm</b></p> <p><i>Me roleta zhallozi montimi ne shtojca, me fletza alumini ngjyre antracid + box+ motori</i></p>			

Pozicioni	Sasi	Përshkrim	P-çmimi njësi pa zbritje	Zbritje %	P-Çmimi EUR	T-Cmimi EUR
	2,12 m <sup>2</sup>	Rrjeta kundër insekteve			25,20	53,42
...	<b>1 Copë(s)</b>	Kati 2			0,00	0,00
<b>17</b>	<b>1 Copë(s)</b>				784,76	784,76



### Schüco Living 82 TopAlu

Ngjyra (B/J): Base profile, white / Aluminium, coated with RAL colour

Rami: 19412 outer frame, 80 mm, MD, TopAlu, butt-joined

Krahu: 19431 Flügel 83mm TopAlu stumpf, 19431 Flügel 83mm TopAlu stumpf

Mekanizmi: MACO Kunde Dreh-kipp Links, Dreh-kipp Rechts

Sipërfaqja: 2.549 m<sup>2</sup>

Profil shtes: 2 \* Outer frame connector, 82/120

Xhami:

1.1 Ug-0.5, 4mm Clima.G.Solar/16 Al 90% Ar/ 4mm Float/16 Al 90% Ar /4mm C.G.Premium 32 db

2.1 Ug-0.5, 4mm Clima.G.Solar/16 Al 90% Ar/ 4mm Float/16 Al 90% Ar /4mm C.G.Premium 32 db

Lartësia e Dorezës: 533 mm, 533 mm

Uw/m<sup>2</sup>: 0.83

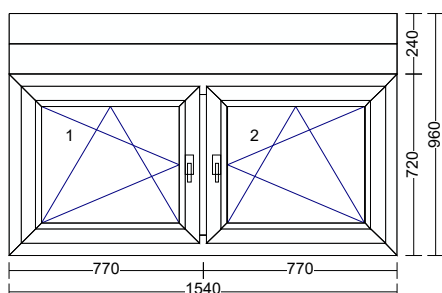
Ug/m<sup>2</sup>: 0,50 W/m<sup>2</sup>K

Pesha: 129 kg

**Dimensionet: 1770mm x 1200mm**

*Me roleta zhallozi montimi ne shtojca, me fletza alumini ngjyre antracid + box+ motori*

<b>18</b>	<b>1 Copë(s)</b>				350,66	350,66
-----------	------------------	--	--	--	--------	--------



### Schüco Living 82 TopAlu

Ngjyra (B/J): Base profile, white / Aluminium, coated with RAL colour

Rami: 19412 outer frame, 80 mm, MD, TopAlu, butt-joined

Krahu: 19431 Flügel 83mm TopAlu stumpf, 19431 Flügel 83mm TopAlu stumpf

Mekanizmi: MACO Kunde Dreh-kipp Links, Dreh-kipp Rechts

Sipërfaqja: 1.478 m<sup>2</sup>

Profil shtes: 2 \* Outer frame connector, 82/120

Xhami:

1.1 Ug-0.5, 4mm Clima.G.Solar/16 Al 90% Ar/ 4mm Float/16 Al 90% Ar /4mm C.G.Premium 32 db

2.1 Ug-0.5, 4mm Clima.G.Solar/16 Al 90% Ar/ 4mm Float/16 Al 90% Ar /4mm C.G.Premium 32 db

Lartësia e Dorezës: 293 mm, 293 mm

Uw/m<sup>2</sup>: 0.91

Ug/m<sup>2</sup>: 0,50 W/m<sup>2</sup>K

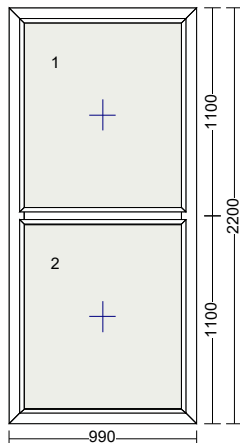
Pesha: 74 kg

**Dimensionet: 1540mm x 720mm**

*Me roleta zhallozi montimi ne shtojca, me fletza alumini ngjyre antracid + box+ motori*

Pozicioni	Sasi	Përshkrim	P-çmimi njësi pa zbritje	Zbritje %	P-Çmimi EUR	T-Cmimi EUR
	1,10 m <sup>2</sup>				25,20	27,72
		Rrjeta kundër insekteve				

**19** **1 Copë(s)** 301,21 301,21



### Schüco Living 82 TopAlu

Ngjyra (B/J): Base profile, white / Aluminium, coated with RAL colour

Rami: 19412 outer frame, 80 mm, MD, TopAlu, butt-joined

Krahu: FIB, FIB

Mekanizmi: MACO Kunde  
2 \* Fixed in Frame

Siperfaqja: 2.700 m<sup>2</sup>

Xhami:

1.1 Ug-0.5, 4mm Clima.G.Solar/16 Al 90% Ar/ 4mm Float/16 Al 90% Ar /4mm C.G.Premium 32 db

2.1 Ug-0.5, 4mm Clima.G.Solar/16 Al 90% Ar/ 4mm Float/16 Al 90% Ar /4mm C.G.Premium 32 db

Lartesia e Dorezës:

Uw/m<sup>2</sup>: 0.73

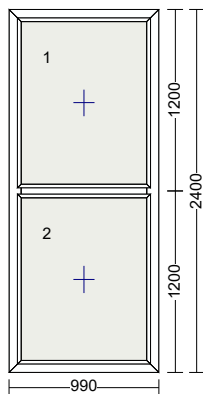
Ug/m<sup>2</sup>: 0,50 W/m<sup>2</sup>K

Pesha: 142 kg

**Dimensionet: 900mm x 3000mm**

**Pa roleta**

**20** **1 Copë(s)** 324,12 324,12



### Schüco Living 82 TopAlu

Ngjyra (B/J): Base profile, white / Aluminium, coated with RAL colour

Rami: 19412 outer frame, 80 mm, MD, TopAlu, butt-joined

Krahu: FIB, FIB

Mekanizmi: MACO Kunde  
2 \* Fixed in Frame

Siperfaqja: 1.980 m<sup>2</sup>

Xhami:

1.1 4 Clima.G.Solar - 16 - 4 qumsht - 16 - 4 C.G.Premium sezon me argon - Ug: 0.5 38 db

2.1 4 Clima.G.Solar - 16 - 4 qumsht - 16 - 4 C.G.Premium sezon me argon - Ug: 0.5 38 db

Lartesia e Dorezës:

Uw/m<sup>2</sup>: 0.76

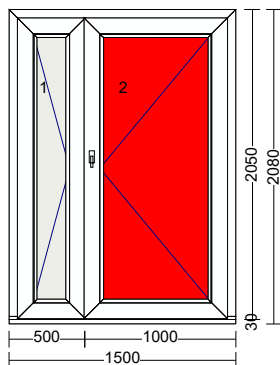
Ug/m<sup>2</sup>: 0,50 W/m<sup>2</sup>K

Pesha: 89 kg

**Dimensionet: 900mm x 2200mm**

**Pa roleta**

Pozicioni	Sasi	Përshkrim	P-çmimi njësi pa zbritje	Zbritje %	P-Çmimi EUR	T-Cmimi EUR
21	1 Copë(s)				1.738,30	1.738,30



### Schüco Living 90 TopAlu

Ngjyra (B/J): Base profile, white / Aluminium, coated with RAL colour

Rami: 19413 outer frame, 90 mm, MD, TopAlu, butt-joined

Krahu: 19435 vent, 103 mm, Top Alu, 19435 vent, 103 mm, Top Alu

Mekanizmi: MACO Kunde  
Eingangstür nach Innen Links,  
Eingangstür nach Innen Rechts

Siperfaqja: 3.120 m2

Xhami:  
1.1 33.1mm Clima.G.Solar/14 Al 90% Ar/ 4mm  
Qumesht/14 Al 90% Ar /33.1mm C.G.Premium 35 db  
2.1 Panel alumini dekorues Bardh/Antracid

Lartesia e Dorezës: 1050 mm

Ug/m<sup>2</sup>: 0,50 W/m2K

Pesha: 409 kg

**Dimensionet: 1500mm x 2080mm**

**Dere me panel dekorues ne pjesen e hapjes, pjesa e hapjes me ndihmes me xham, me brave tri pika mbyllese me ballore elektrike, dorez normale mbrenda dhe dorez te gjate jashte.**



Dere me panel dekorues si ne foto (paneli nr.539) xhami qumesht ne pjesen e deres dhe ne pjesen e hapjes ndihmese, dorza normale mbrenda dhe doreza e gjate 1.6 m` forma e dorzes katrore si ne foto.

22 Roleta zhallozi me fletza alumini ngjyre antracid + boxi+motorat

4.104,69

Pozicioni	Sasi	Përshkrim	P-çmimi njësi pa zbritje	Zbritje %	P-Çmimi EUR	T-Cmimi EUR	
23		Folie Izoluese 15cm per te gjitha pozicionet	115,840 m		1,63	188,82	
Neto shuma					18,00 %	14.768,00 EUR	0.00 EUR
Bruto shuma						14.768,00 EUR	
Zbritje						-848.00 EUR	
Total vlere e ofertes pas zbritje						13.920,54 EUR	

### Përshkrimi i Ofertës:

Elementet me Profile Plastike SCHUCO Living 82mm,  
Ngjyra e profileve: Mbrenda Bardhë dhe Bardhë + aluklip i bardhë antracid RAL 7016 ,  
Hekuri me trashësi 1.8 mm,  
Mekanizmi Macco-Sistemi Kokëkëpurdhë IS,  
Doreza e Dritarës Schuco ngjyrë e Bardhë,  
Roleta zhallozi per pos e cekura me fletza të aluminit ngjyrë antracid me vendosje ne shtojca,  
Shtojca 3 cm e gjere per dyer ngjyre bardh/antracid  
Derigjimi i Roletave me motor që punon me ndërprerës,  
Xhami i përshkruar në pozicion.  
Rrjeta te insekteve per poziciont e cekura, hapja horizontale per te gjitha poziciont, ngjyra antracid  
Folie izoluese per te gjitha poziciont.  
Koficienti Termik i Profilit:  $U_f = 0,96 \text{ W}/(\text{m}^2 \text{ K})$ .  
Mënyra e Pageses: Kushtet e pagesës definoohen me kontratë.

Oferta është llogaritur në bazë të marra në teren.

Grancion ne profila, mekanizma dhe roleta 5 vite.

Valediteti i ofertës është 15 ditë nga data e dorëzimit.

Afati i lifterimit të materialit përcaktohet në bazë të marrëveshjes në mes të palëve, nga nënshkrimi i kontratës, pagesa e avansit dhe konfirmimi i masave të prodhimit.

Terms of Delivery: Ex: - Works Parku i Biznesit 13000- Drenas

# SCHÜCO

— PARTNER —

# ALUKÖNIGSTAHL

## PARTNERSCHAFTZERTIFIKAT

UNTERNEHMEN

# WINTECH sh.p.k.

Parku i biznesit, 13000 Drenas, Kosova

ist offizieller Hersteller der Fenster und Türen aus in Weißenfels gefertigten PVC-Profilen und wurde im Bereich der Schüco Systeme und Technologien geschult.

Die hiermit geschlossene Partnerschaft, basiert auf gegenseitigem Vertrauen und besiegelt ein gemeinsames Bekenntnis zu erstklassiger Qualität von SCHÜCO PVC Systemen.

Für eine gemeinsame, leistungsstarke und erfolgreiche Zukunft!

Sarajevo, 02.12.2019.



Senad Mašić,  
Geschäftsleitung  
ALUKOENIGSTAHL doo  
Bosnien und Herzegowina



Boris Lenasi,  
Geschäftsleitung  
ALUKOENIGSTAHL doo  
Bosnien und Herzegowina

# CERTIFICATE



## ALUPROF SA

hereby certifies that the company

## WINTECH shpk

fulfils all the requirements  
for the production of:

- ROLLER SHUTTERS
- VENETIAN BLINDS
- INSECT SCREENS
- GARAGE DOORS

in Aluprof systems and holds the title of

## ALUPROF PARTNER

Krzysztof Sofiński

Export Director



**ALUPROF**  
ALUMINIUM SYSTEMS